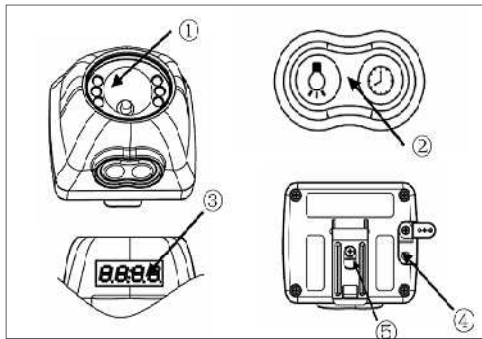


# TECHNICAL SPECIFICATIONS

## BTE 1000 CL TECHNICAL SPECIFICATIONS

## BTE 4800 C TECHNICAL SPECIFICATIONS



1. Light Source: 1 watt LED and 6 5 mm backup LEDs
2. Lamp and Clock Switch
3. Digital Display
4. Charger Port
5. Hard hat attachment clip

Rated Capability	4.5 Ah (lithium ion battery)
Rated voltage	3.7 volts
Continuous Discharge Time	≥ 15 hours
Main Light LED Voltage	3.2 volts
Main Light LED Current	0.35A
Main Light LED Power	1 watt
Main Light Luminous Flux	≥ 90Lm
Lamp Lighting (distance 1 meter)	≥ 3000 Lux (initially) ≥ 2000 Lux (after 12 hours)
Main Light Usage Life	≥ 30000 hours
Backup Light Usage Life	≥ 100000 hours
Weight	< 215 grams
Short Circuit Protection Time	< 15ms
Typical Battery Lifetime	1000 cycles (normal conditions)
Recharge Time	< 8 hours
Charger Output	4.9v @ 1A

AC Input Voltage	220/110 V
Frequency of Power Voltage	50/60 Hz
DC Output Voltage	4.9 ± 0.1 V
DC Output Current	1.0 ± 0.1 A
- Individual lamp position	
Lamp Charging Time	6 ± 1 hours
Overall Dimensions	94x40x90 cm
Weight	33 kg

