



CONSTRUCTION & TECHNICAL FEATURES

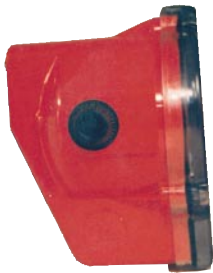
The GII series Cap Lamp design includes all of the features and benefits that have made the original Northern Light™ systems popular with additional design enhancements based on customer feedback. The result is a cap lamp system with a superior level of ruggedness and flexibility to meet the demanding needs of mining and construction environments. The Northern Light™ GII Cap Lamp is M.S.H.A. approved and meets approvals for intrinsic safety.

GII Headpiece and Cable Assembly

The Northern Light™ GII Cap Lamp offers these enhancements:

- Maximum bulb retention and positioning for optimal spot quality and distribution, no focusing required
- Inset, impact resistant glass lens allows a consistent clean smooth surface for maximum light output
- Headpiece is compact and lightweight 134g (4.75oz) and has quality sealing to eliminate moisture ingress
- The cable assembly has a rugged designed strain relief and durable electrical connection to provide maximum reliability and service life
- Side mounting of the cable on the hard hat provides maximum worker safety; clip for left side mount is standard, right side is optional

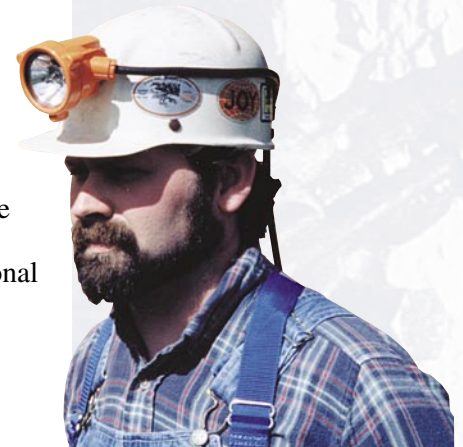
Profile of original Headpiece



Profile of GII Headpiece



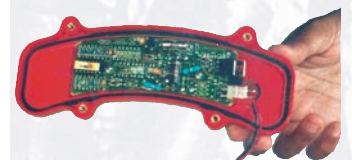
GII Headpiece side view



Battery Pack

The GII battery pack uses proven material and electronic specifications of our existing design with the added benefits of:

- Removable lid to allow for local service on electronics and replacement of cell packs
- Durable belt loop design with stainless steel spacers
- Improved electrical and mechanical connectors
- Mounting bracket on the battery case to secure the headpiece when it is not on the hard hat
- Ni-MH environmentally friendly cells for ease of recycling



Battery Pack with removable lid

Specifications:

Model	8 - 10 Hr	12 Hr*
Battery Pack Weight	.83 kg (1.84 lbs)	1.11 kg (2.45 lbs)
Complete Assembly Weight	1.17 kg (2.58 lbs)	1.45 kg (3.19 lbs)
Nominal Discharge Current	.62 A	.62 A
Nominal Bulb Wattage	4 W	4 W
Total Approx. Discharge Time	12 Hr	17 Hr

*The PTO model uses the same battery as the 12 hr. model.

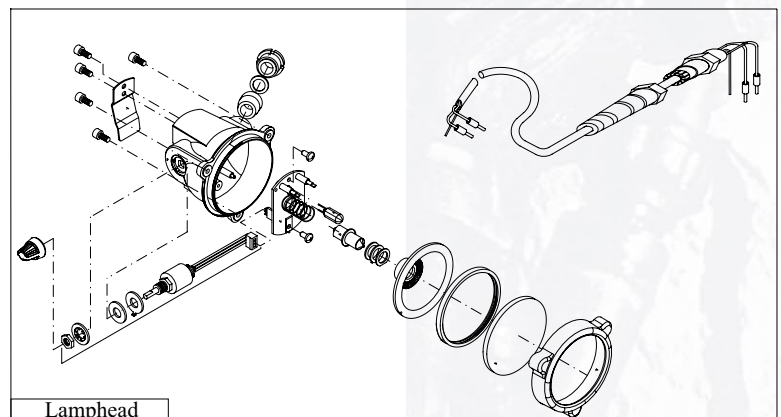
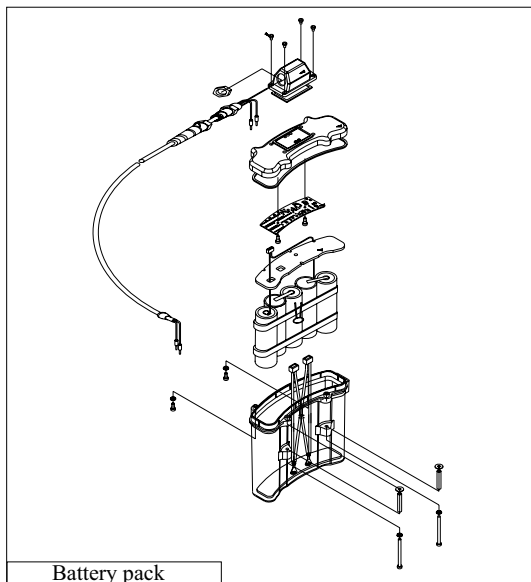


Tool Kit:

The GII uses these readily available tools for servicing.

- 1 Screwdriver, Hex 2.5mm for M3 screw
- 1 Screwdriver, Hex 3mm for M4 screw
- 1 Wrench – Hook, Spanner
- 1 Nut Driver - 5/16" (7.9 mm) for on/off switch
- Complete GII/GIIR Tool Kit (includes the 4 items above)
- 1 Screwdriver, Philips #1 for self-tapping screws
- 1 Wrench, open end 7/8" for strain relief

- part # GS8801
- part # GS8802
- part # GS8803
- part # GS8804
- part # GS8800-KIT



NL Technologies is an ISO registered company.



DIVISION OF LEVITT-SAFETY LIMITED

REV 3