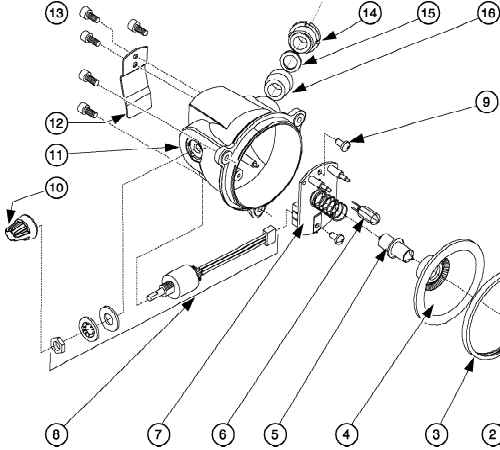


Part Numbers For GII Cap Lamp Using NiMH Battery Packs

HEADPIECE ASSEMBLY

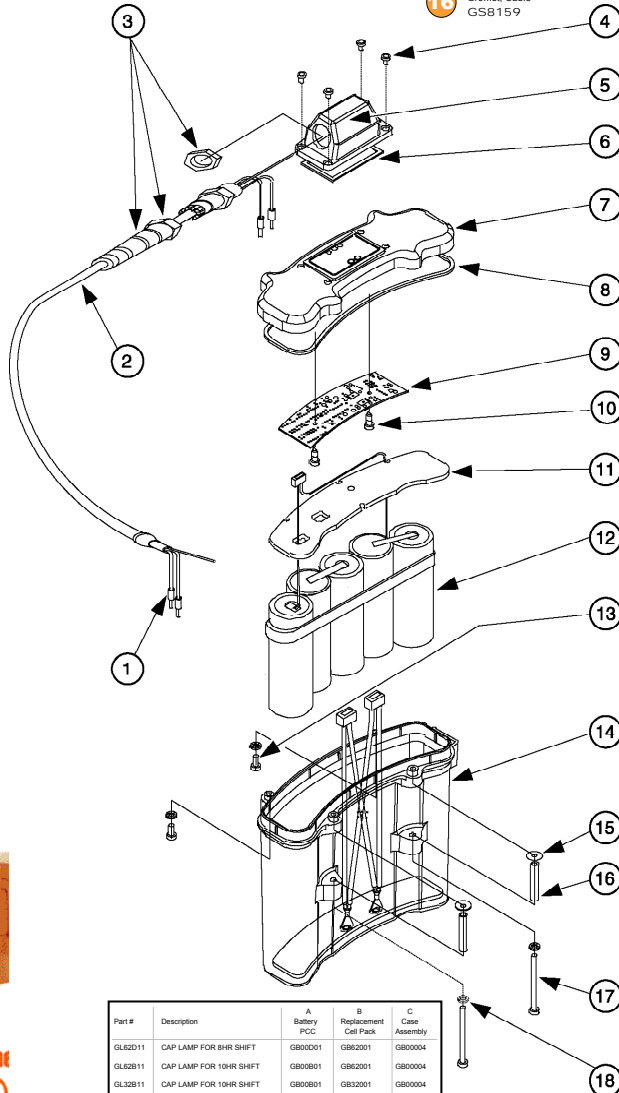
(C/W CABLE GH1100*) * See cable, Item two in Battery Assembly



- 1** Bezel Ring Headpiece GS8152
- 2** Glass Lens, Headpiece GS3601
- 3** Gasket, Reflector GS8153
- 4** Reflector, Flange GS8154A
- 5** Bulb, Flange GS3702
- 6** Bulb, Secondary GS3704
- 7** PCB Assembly, Flange, Headpiece GH1001
- 8** Switch Assembly c/w Wires & Connectors GH0002
- 9** screw, Phillips 3/8" GS6706
- 10** Knob Assembly, Headpiece GH0003
- 11** Housing, Headpiece GS8150
- 12** Bracket, Headpiece GS8002
- 13** Screws, Hex M3 x 6mm GS6703
- 14** Plug, Threaded, Headpiece GS8156
- 15** Washer, Flat, Cable GS6503
- 16** Gromet, Cable GS8159

BATTERY ASSEMBLY

- 1** Terminal Pins GS5203
- 2** Cable Assembly GC1000
- 3** Strain Relief, Terminal Cover GS6400
- 4** Screws, Hex M3 x 6mm GS6703
- 5** Terminal Cover GS8102
- 6** Gasket, Terminal Cover GS7301
- 7** Battery Lid Assembly, complete with gasket GB00002
- 8** Gasket, Lid GS7302
- 9** PCC Assembly SEE TABLE, COLUMN A
- 10** screw, Phillips 1/4" GS6704
- 11** Retainer Plate GS8501
- 12** Battery Assembly SEE TABLE, COLUMN B
- 13** Screws, Hex M4 x 12mm GS6702
- 14** Battery Case Assembly SEE TABLE, COLUMN C
- 15** Washer, Flat-M4 GS6502
- 16** Spacer, Belt Loop GS6901
- 17** Screw, Hex M4 x 70mm GS6701
- 18** Washer, Lock-M4 GS6501



Part #	Description	A Battery PCC	B Replacement Cell Pack	C Case Assembly
GL62D11	CAP LAMP FOR 8HR SHIFT	GB80001	GB62001	GB80004
GL62B11	CAP LAMP FOR 10HR SHIFT	GB80801	GB62001	GB80004
GL62B11	CAP LAMP FOR 10HR SHIFT	GB80801	GB82001	GB80004
GL72D11	CAP LAMP FOR 12HR SHIFT	GB80001	GB72001	GB80004



North
GII™

